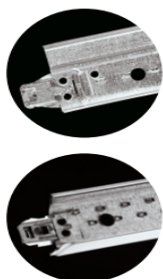


Ceiling t bar, also called ceiling t grids is widely used for false ceiling installation, can be fixed for acoustic mineral fiber ceiling, gypsum board ceiling, metal ceilings
 Materials: Hot-dipped Galvanized Steel with Aluminum Cap

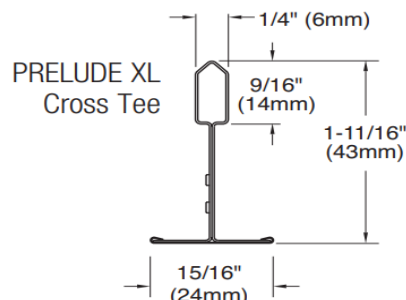
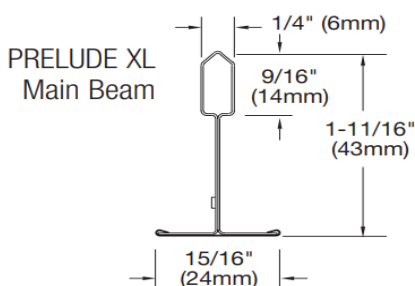
FEATURES:

1. Double-sided polyester paint and professional roll forming equilibrium capacity 8.3kg/m², suitable for many kinds of ceiling suspension board
2. Hot-dipped galvanized treatment, anti-corrosion and rust resistance
3. 10 years warranty and 15 years system warranty
4. 3D groove steel T-grid series: generous, clean, good sense of space and texture
5. Surface smoothness and easy cleaning
6. Flexible suspension system makes each ceiling tile easily installed and disconnected
7. Easy to match lamps or other ceiling parts
8. Surface color can be stable for 10 years by indoor use
9. Loading capacity: >=15kgs/m²



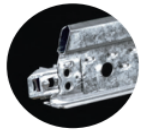
PRELUDE® XL®
Main Beam

PRELUDE XL
Cross Tee



Exposed 15/16"	SPECIFICATION(mm)	PACKAGE
MAIN TEE	38X24X3600/3660 32X24X3600/3660	25/30PCS/CTN
CROSS TEE	32X24X1200/1220 28X24X1200/1220 26X24X1200/1220	50/75PCS/CTN
CROSS TEE	32X24X600/610 28X24X600/610 26X24X600/610	75PCS/CTN
L -ANGLE	20X20X3000/3050 22X22X3000/3050	50PCS/CTN

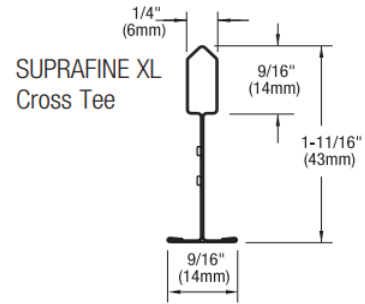
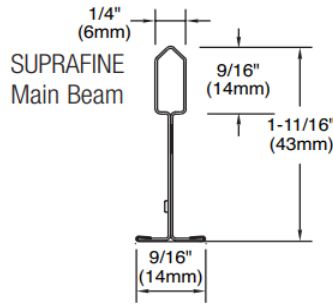
DETAILS



SUPRAFINE® XL®
Cross Tee



SUPRAFINE ML
Cross Tee



Exposed 9/16"	SPECIFICATION(mm)	PACKAGE
MAIN TEE	38X15X3600/3660 32X15X3600/3660	25/30PCS/CTN
CROSS TEE	38X15X1200/1220 32X15X1200/1220	50/75PCS/CTN
CROSS TEE	38X15X600/610 32X15X600/610	75PCS/CTN
L -ANGLE	20X20X3000/3050 22X22X3000/3050	50PCS/CTN

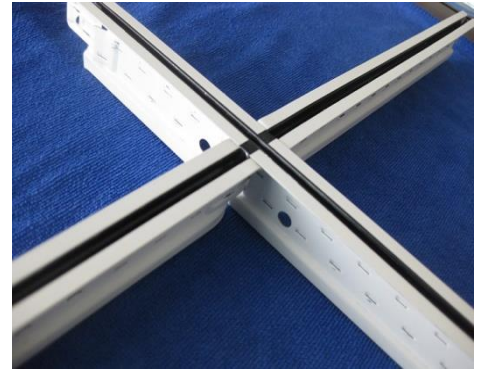
Flat groove 9/16"	SPECIFICATION(mm)	PACKAGE
MAIN TEE	38X15X3600/3660 32X15X3600/3660	25/30PCS/CTN
CROSS TEE	38X15X1200/1220 32X15X1200/1220	50/75PCS/CTN
CROSS TEE	38X15X600/610 32X15X600/610	75PCS/CTN
L -ANGLE	20X20X3000/3050 22X22X3000/3050	50PCS/CTN



FUT 9/16"	SPECIFICATION(mm)	PACKAGE
MAIN TEE	38X15X3600/3660 32X15X3600/3660	25/30PCS/CTN
CROSS TEE	38X15X1200/1220 32X15X1200/1220	50/75PCS/CTN
CROSS TEE	38X15X600/610 32X15X600/610	75PCS/CTN
L -ANGLE	20X20X3000/3050 22X22X3000/3050	50PCS/CTN



FUT 15/16"	SPECIFICATION(mm)	PACKAGE
MAIN TEE	38X24X3600/3660 32X24X3600/3660	25/30PCS/CTN
CROSS TEE	38X24X1200/1220 32X24X1200/1220	50/75PCS/CTN
CROSS TEE	38X24X600/610 32X24X600/610	75PCS/CTN
L -ANGLE	20X20X3000/3050 22X22X3000/3050	50PCS/CTN



DETAILS

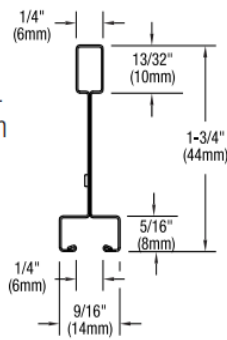


SILHOUETTE® XL®
Main Beam

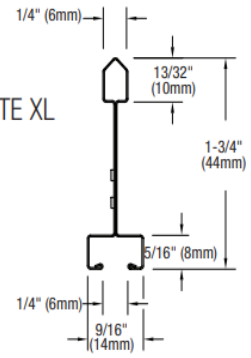


SILHOUETTE XL
Cross Tee

SILHOUETTE XL
Main Beam with
1/4" Reveal



SILHOUETTE XL
Cross Tee



Silhouette 9/16"	SPECIFICATION(mm)	PACKAGE
MAIN TEE	38X15X3600/3660 32X15X3600/3660	25/30PCS/CTN
CROSS TEE	38X15X1200/1220 32X15X1200/1220	50/75PCS/CTN
CROSS TEE	38X15X600/610 32X15X600/610	75PCS/CTN
L -ANGLE	20X20X3000/3050 22X22X3000/3050	50PCS/CTN